

SUBMITTAL DATA SHEET



Model number: M40G-36HFN1-M

Multi Zone Heat Pump System

Location:	Approval:
Engineer:	Date:
Submitted to:	Construction:
Submitted by:	Unit #:
Reference:	Drawing #:



OUTDOOR SPECIFICATION

Compressor Type	ROTARY	
Compressor Model	KTF310D43UMT	
Refrigerant	R454B	
Refrigerant Oil Charge(mL)	1000	
Refrigerant Oil	V74	
Outdoor Air Flow (Max) (CFM)	2148	
Outdoor Noise Level (dBA)	64.5	
Dimension (W×D×H)	inch	37.24 x 16.14 x 31.89
	mm	946×410×810
Package (W×D×H)	inch	42.91 x 19.68 x 34.84
	mm	1090×500×885
Net/Gross Weight	lbs	168.87/180.12
	kg	76.6/81.7

ELECTRICAL

Power Supply	208/230V,60Hz,1Ph	
System MCA	30.5	
Connection Wiring	AWG 14-4	
System MOCP	35	
Compressor RLA	17	
Outdoor Fan Motor RLA	1.3	
Outdoor Fan Motor W	120	
Indoor Fan Motor RLA	/	
Indoor Fan Motor W	/	
System Power Input @ Cooling (W)	3000/(600 ~ 4100)	
System Power Input @ Heating (W)	3098/(600 ~3900)	
MCA: Min. circuit amps (A)	MOCP: Max. over current protection (A)	
RLA: Rated load amps (A)	W: Fan motor rated output (W)	

EFFICIENCY

Cooling		Heating	
SEER2	24.0	HSPF2-4	9.5
EER2	12	COP	3.5

PERFORMANCE OF COOLING

Cooling (Btu/hr)	
Rated Capacity	36000
Min/Max Capacity	9000~42000
Moisture Removal(L/h)	0.1
Standard Operating Range(°F/°C)	-13~122/(-25 ~ 50)
Rated Cooling Conditions:	Indoor: 80°F DB/67°F WB Outdoor: 95°F DB/75°F WB

PERFORMANCE OF HEATING

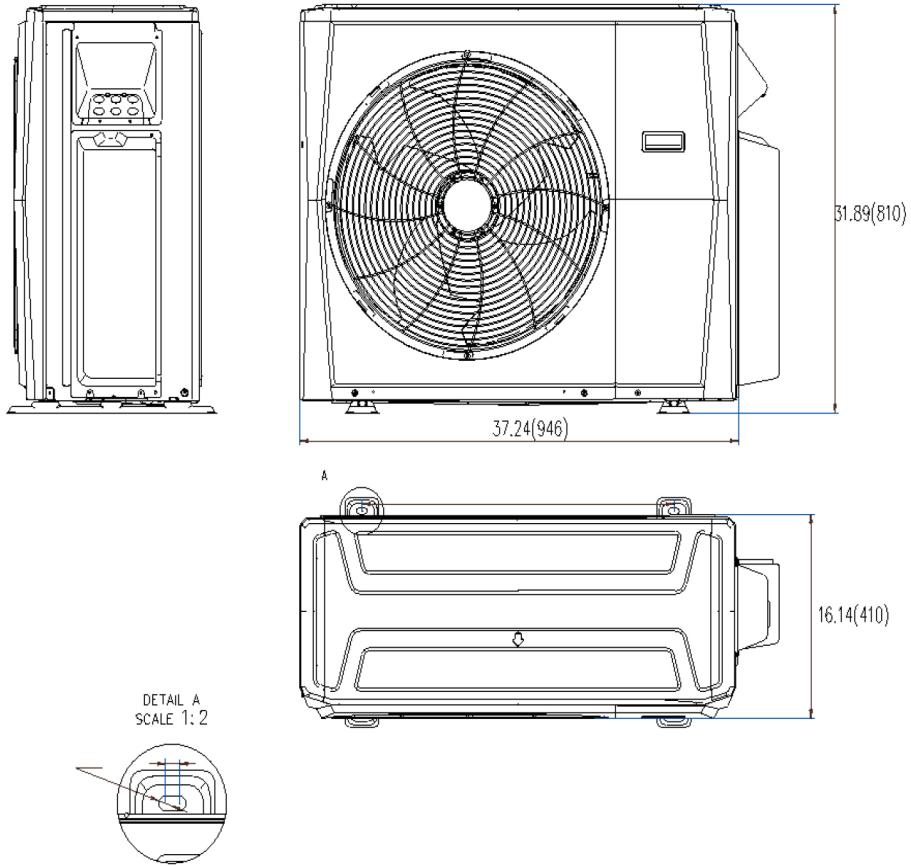
Heating (Btu/hr)	
1. @ 47°F Rated	37000
1. @ 47°F Min/Max Capacity	10000~42500
2. @ 17°F Rated(H32)	26600
3. @ 5°F Rated: Capacity / COP(H4)	26000/2

PIPING

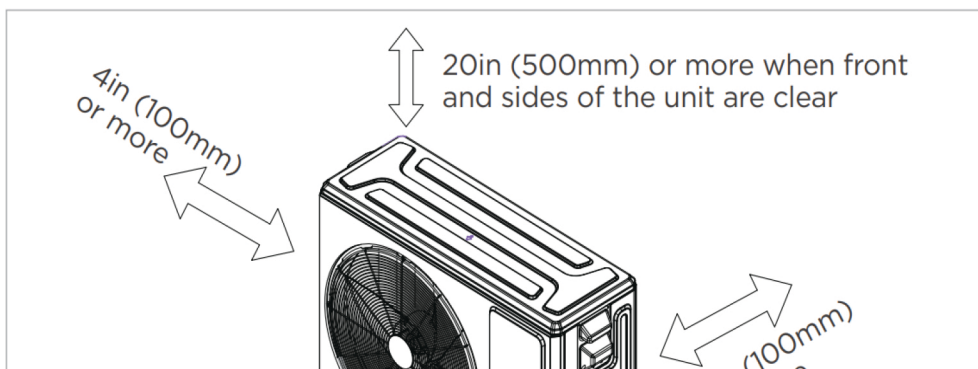
Liquid Size	5x6.35mm(5x1/4in)
Gas Size	4x9.52mm+1x12.7mm(4x3/8in+1x1/2in)
Max. Piping Length for all	262.4/(80)
Max. Piping Length for one	114.8/(35)
Height Difference of IDU and ODU(ft)	49.2/(15)
Refrigerant Pre-charged	120.63/(3.42)
Refrigerant Precharge Length(ft/m)	24.6(7.5)x5
Additional Charge of Refrigerant (Φ6.35 (1/4") liquid pipe) ((oz/ft)/(g/m))	0.16/(15)
Additional Charge of Refrigerant (Φ9.52 (3/8") liquid pipe) ((oz/ft)/(g/m))	0.32/(30)
Connection Method	Flared

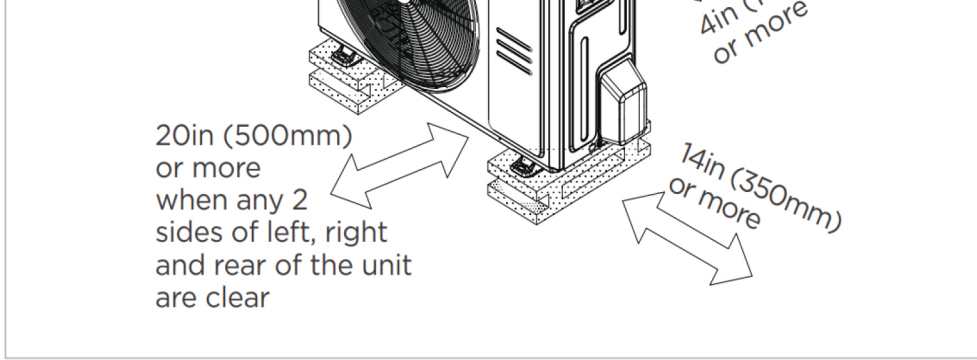
3. @ 5°F Max: Capacity	26000
Standard Operating Range(°F/°C)	-13~75/(-25 ~ 24)
1. Conditions:	Indoor: 70°F DB/60°F WB Outdoor: 47°F DB/43°F WB
2. Conditions:	Indoor: 70°F DB/60°F WB Outdoor: 17°F DB/15°F WB
3. Conditions	Indoor: 70°F DB/60°F WB Outdoor: 5°F DB/5°F WB

OUTDOOR UNIT DIMENSION



INSTALLATION INSTRUCTION





- Meets all spatial requirements shown in Installation Clearance Requirements above.