

SUBMITTAL DATA SHEET

R454b
Refrigerant



Model number: ECCC-60U/ECUO-48E

Air Handler Heat Pump System

Location:	Approval:
Engineer:	Date:
Submitted to:	Construction:
Submitted by:	Unit #:
Reference:	Drawing #:



INDOOR SPECIFICATION

Dimension (W×D×H)	inch	21-5/8 x 21-1/2 x 27-3/4
	mm	549 x 546 x 706
Package (W×D×H)	inch	31-1/8 x 25 x 25-5/8
	mm	790 x 635 x 650
Net/Gross Weight	lbs	97 / 115
	kg	43.9 / 52.2

OUTDOOR SPECIFICATION

Compressor Type	ROTARY	
Compressor Model	MTH550UKPC8FU	
Refrigerant	R454B	
Refrigerant Oil Charge(mL)	1,800	
Refrigerant Oil	HAF68D1C	
Outdoor Air Flow (Max) (CFM)	3,037	
Outdoor Noise Level (dBA)	65	
Dimension (W×D×H)	inch	38-9/16 x 16-3/8 x 38-3/8
	mm	980 x 415 x 975
Package (W×D×H)	inch	45-1/16 x 19-11/16 x 42-1/2
	mm	1145 x 500 x 1080
Net/Gross Weight	lbs	193 /224
	kg	87.5 / 101.7

EFFICIENCY

Cooling		Heating	
SEER2	15.2	HSPF2-4	9.0
EER2	10.0	COP	3.00

PERFORMANCE OF COOLING

Cooling (Btu/hr)	
Rated Capacity	45,000
Min/Max Capacity	15,900~49,000
Moisture Removal(L/h)	4
Standard Operating Range(℉/°C)	-13~122 (-25~50)
Rated Cooling Conditions:	Indoor: 80℉ DB/67℉ WB Outdoor: 95℉ DB/75℉ WB

PERFORMANCE OF HEATING

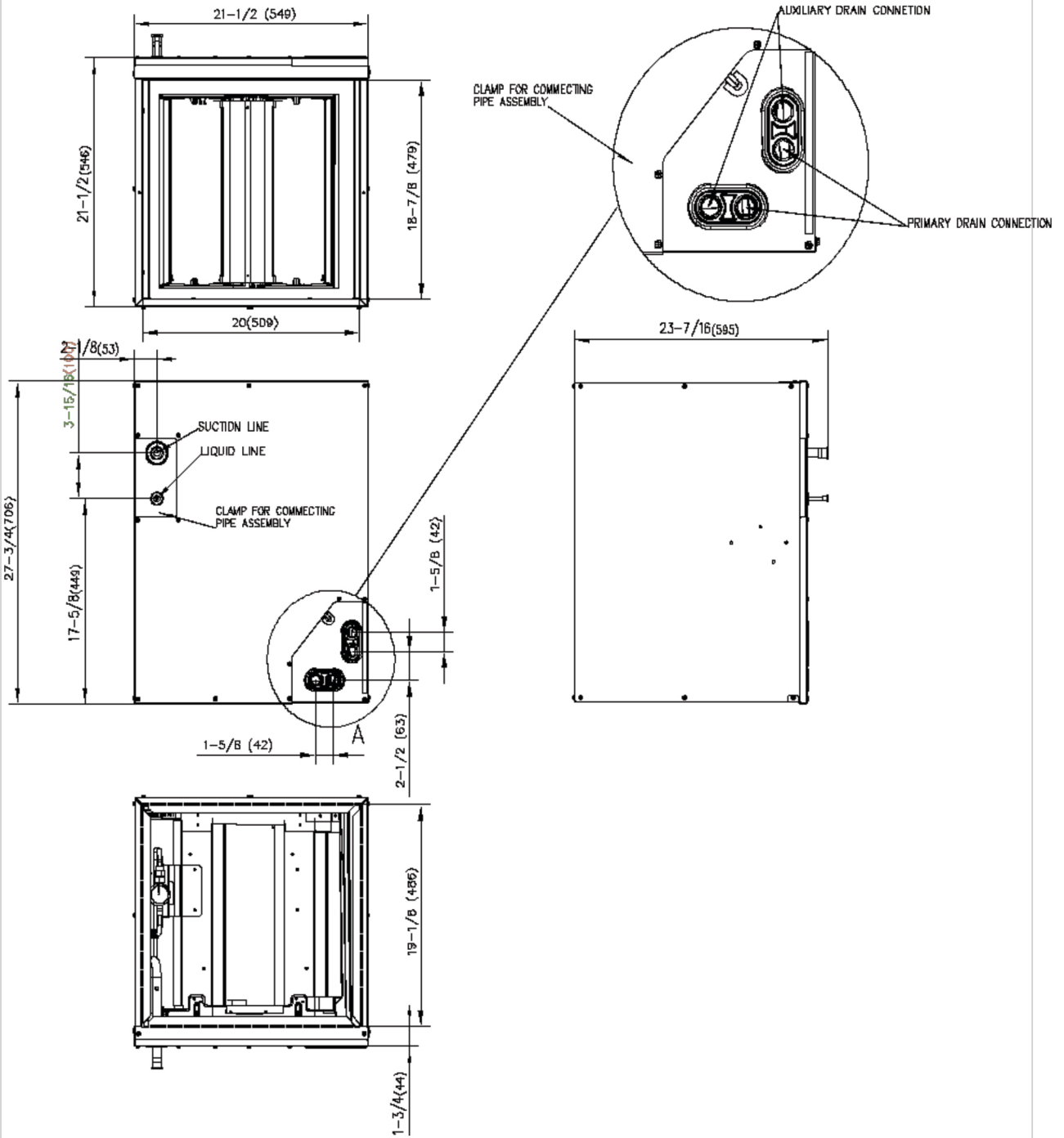
Heating (Btu/hr)	
1. @ 47℉ Rated	47,000
2. @ 47℉ Min/Max Capacity	14,800~50,000
3. @ 17℉ Rated	33,000
4. @ 5℉ Rated: Capacity / COP	40,000/1.85
5. @ 5℉ Max: Capacity	40,000
Standard Operating Range(℉/°C)	-13~75 (-25~24)
1. Rated Heating Conditions:	Indoor: 70℉ DB/60℉ WB Outdoor: 47℉ DB/43℉ WB
2. Rated Heating Conditions:	Indoor: 70℉ DB/60℉ WB Outdoor: 17℉ DB/15℉ WB
3. Heating Conditions, Compressor Operating at Max. Frequency	Indoor: 70℉ DB/60℉ WB Outdoor: 5℉ DB/5℉ WB

ELECTRICAL

Indoor Power Supply	24V,60Hz,1Ph
Indoor MCA 115V/(208/230V)	/
Indoor MOP	/
Outdoor Power Supply	208/230,60Hz,1Ph
Outdoor MCA	36.0
Outdoor MOP	40.0
Communication Wiring	AWG 20-2
Compressor RLA	27
Outdoor Fan Motor RLA	2
Outdoor Fan Motor W	250
Indoor Fan Motor RLA	/
Indoor Fan Motor W	/
System Power Input @ Cooling (W)	4,500 (1,390~5,080)
System Power Input @ Heating (W)	4,590 (860~4,850)
MCA: Min. circuit amps (A)	MOCP: Max. over current protection (A)
RLA: Rated load amps (A)	W: Fan motor rated output (W)

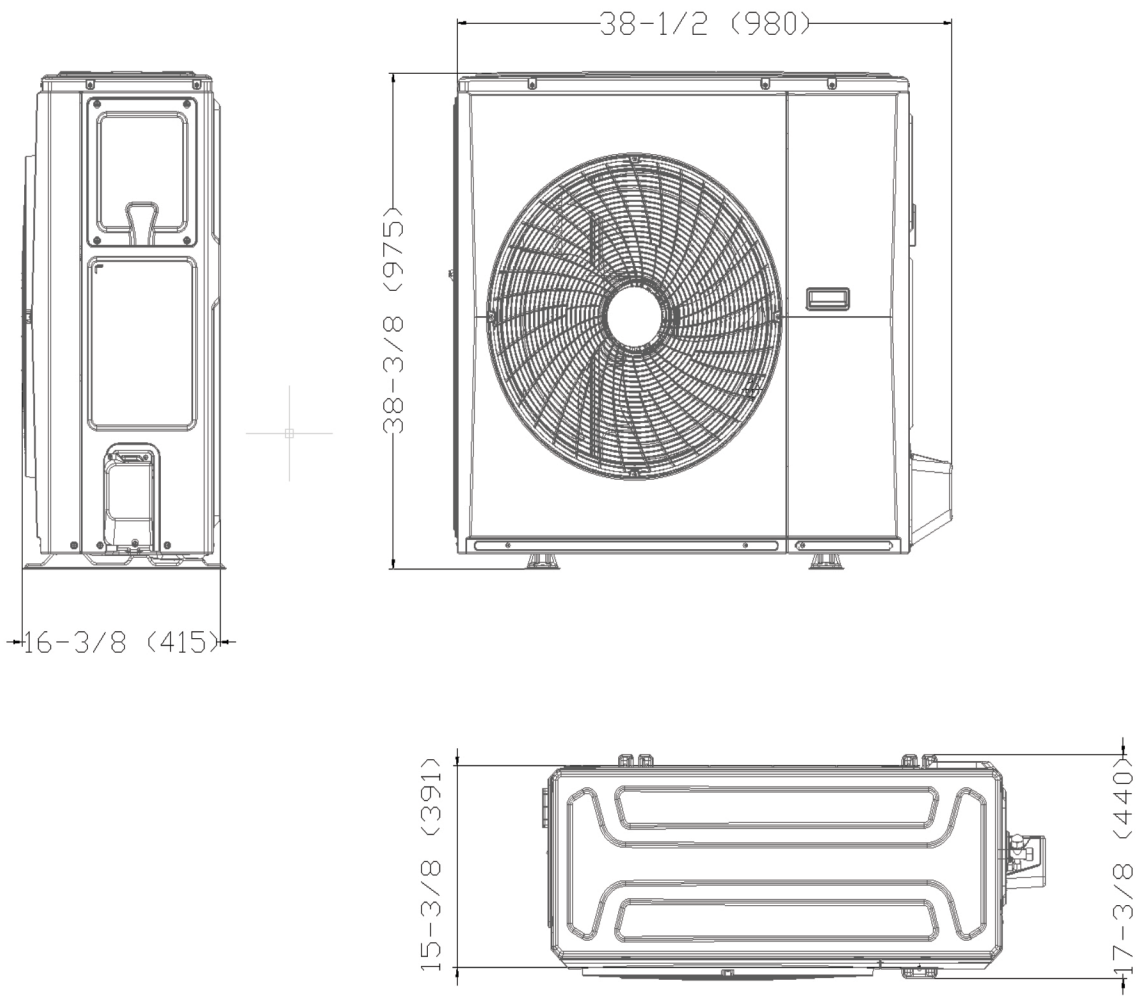
PIPING

Throttle type(Indoor)	TXV
Throttle type(Outdoor)	EXV
Liquid Size	3/8" (9.52mm)
Gas Size	3/4" (19mm)
Max. Piping Length(ft/m)	246 (75)
Max. Height Difference(ft/m)	98.4 (30)
Max. Pre-charged Length(ft/m)	25 (7.5)
Refrigerant Pre-charged Amount (oz/lb)	134 (3.8)
ditional Charge of Refrigerant(oz/ft)/(g/r)	0.7 (65)
Connection Method	Flared

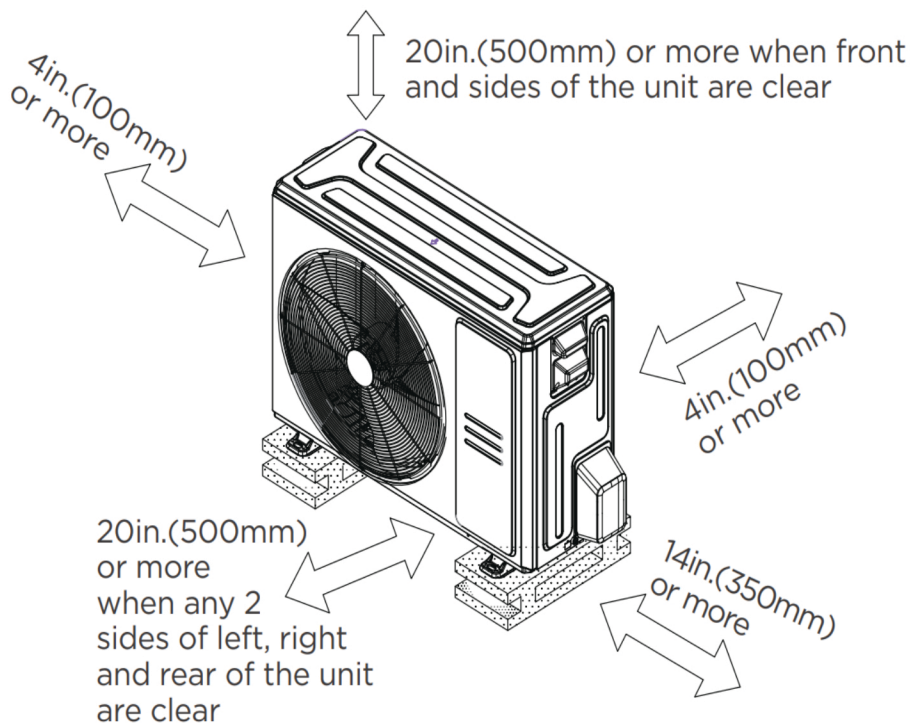


Outdoor Unit Dimension

Unit:inch(mm)



Installation Instruction for Outdoor Unit



Features

- Multi-position installation: horizontal(left or right), vertical(up or down)
- Aluminum Coil
- R454B refrigerant sensor
- Easy Maintenance
- Multiple control options available:
 - Two way communication wired controller with built-in WiFi:120N(X6W)
 - Third-Party 24V Thermostat