



## Submittal Data

Submittal Data Model : **MSEPD-24HRFN1-MU0W/MOD30-24HFN1-MU0W**

Description:

Job Name:

Location:

Date:

Purchaser:

Engineer:

Submitted to:

For:

Review:

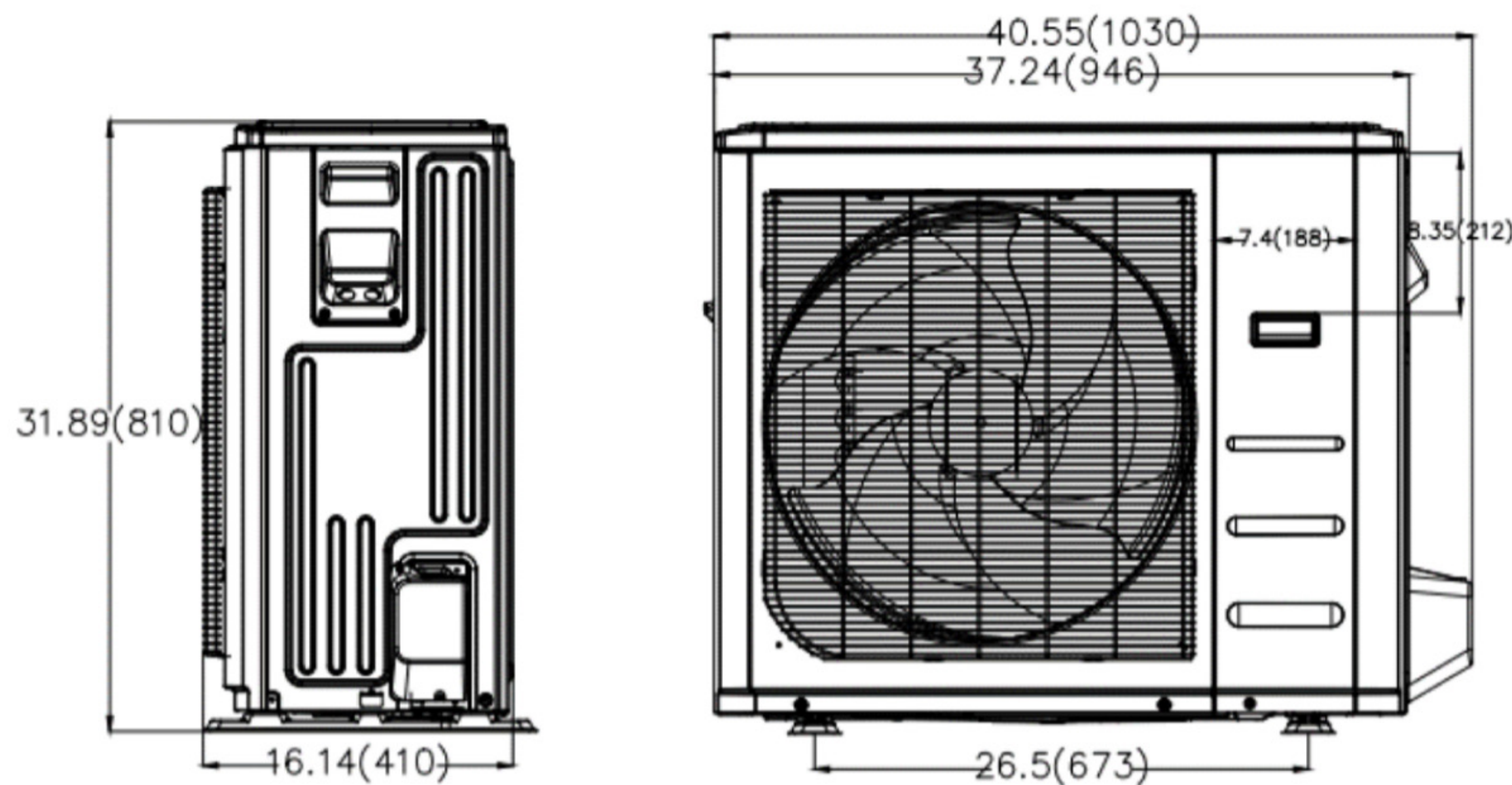
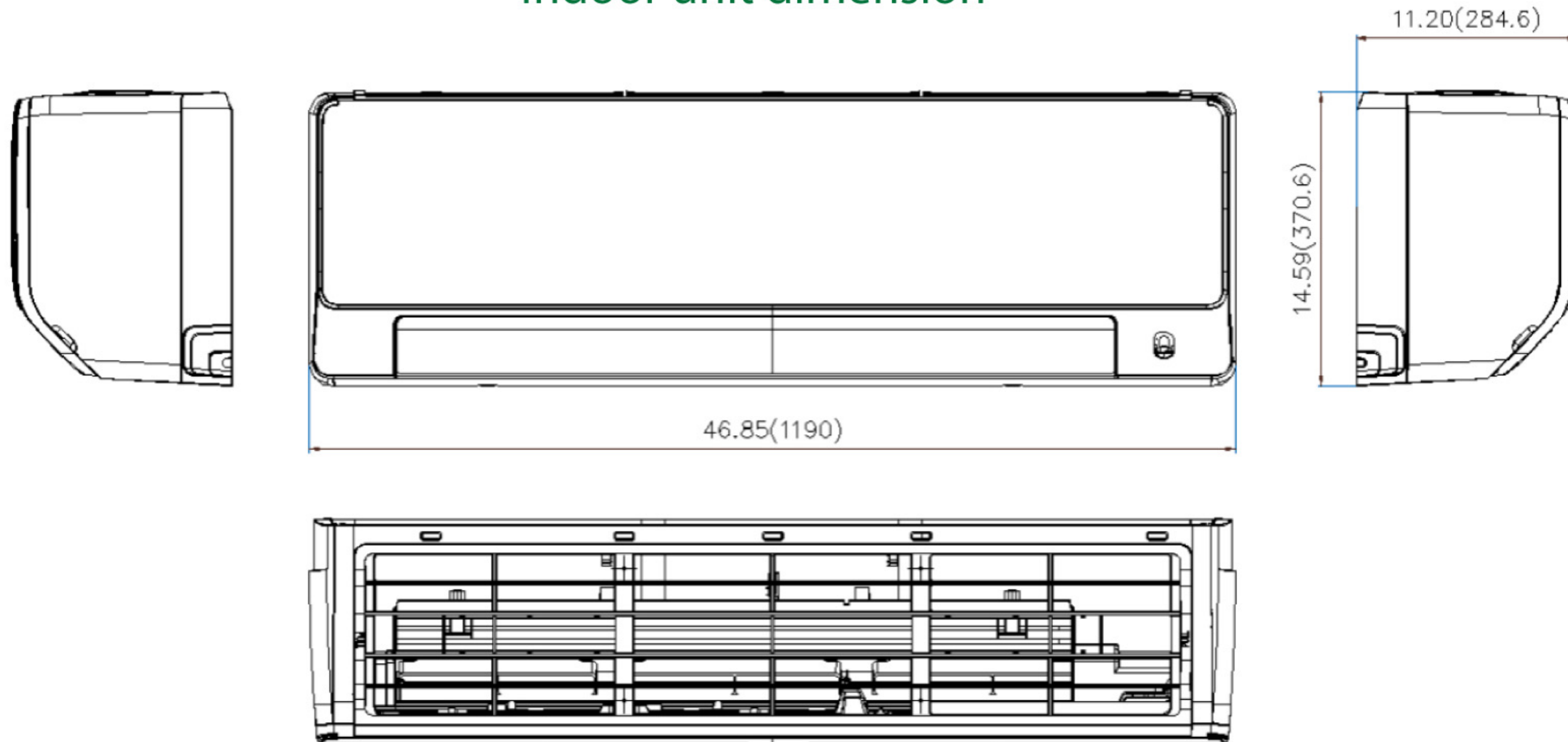
Approval:

SYSTEM PERFORMANCE DATA		
<b>Power supply</b>		
Normal Operational Voltage	(V, Ph, Hz)	208/230,1,60
Voltage Range	(V)	187-253
<b>Electrical</b>		
Minimum circuit ampacity	(A)	16.0
Max.fuse	(A)	25.0
Connection wiring		14*4 AWG
<b>Cooling</b>		
Rated Capacity	(Btu/h)	18000
Capacity Range	(Btu/h)	8870~19400
Powrer Input (Max)	(W)	1440
Rated current	(A)	6.3
SEER	(Btu/W)	21.5
EER	(Btu/W)	12.5
<b>Heating at 47F</b>		
Rated Capacity	(Btu/h)	18000
Capacity Range	(Btu/h)	15100~19500
Powrer Input (Max)	(W)	1700
Rated current	(A)	7.3
HSPF4	(Btu/W)	13
HSPF5	(Btu/W)	11
COP	W/W	3.10
<b>Heating at 17F</b>		
Max Capacity	(Btu/h)	20270
REFRIGERANT PIPE DATA		
Design pressure	(PSIG)	550/340
Refrigerant Type	(Oz)	R410A/65.2
Refrigerant precharge	(ft)	25.0
	(m)	7.6
Additional charge for each ft	(oz/ft)	0.16
	(g/m)	15
Liquid side/ Gas side	(inch)	1/4" / 1/2"
	(mm)	6.35/12.7
Max. pipe length	(ft)	98.0
	(m)	30.0
Max. difference in level	(ft)	66.0
	(m)	20.0
Connection method		(Flared)
Indoor(cooling)	(Deg. °F/ °C)	60 ~ 90 / 16 ~ 32
Indoor( heating)	(Deg. °F/ °C)	32 ~ 86 / 0 ~ 30
Outdoor(cooling)	(Deg. °F/ °C)	-22~122 / -30 ~ 50
Outdoor(heating)	(Deg. °F/ °C)	-22~75 / -30 ~ 24

INDOOR UNIT DATA		
<b>Indoor fan motor</b>		
Type		Cross-Flow
Model		ZKFP-30-8-3-10
Qty		1
Input	(W)	36.0
RLA	(A)	0.4
LRA	(A)	---
Winding Resistance	(Ω)	---
Capacitor	(uF)	---
Speed(Hi/Mi/Lo)	(r/min)	1240/1024/916
<b>Air flow &amp; Noise level</b>		
Indoor air flow (Hi/Med/Lo) (l	(CFM)	523.53/376.47/305.88
Indoor noise level (Hi/Med/Li	[dB(A)]	46/42/24
Dehumidification	(Pint/H)	---
<b>Indoor unit</b>		
Dimension (WxDxH)	(inch)	40.06x9.72x12.60
	(mm)	1017.4x246.9x320
Packing(WxDxH)	(inch)	43.11x12.80x15.75
	(mm)	1095x325x400
Net/Gross weight	(lbs.)	27.12/35.71
	(kg)	12.3/16.2
OUTDOOR UNIT DATA		
<b>Compressor</b>		
Type		KTM240D43UKT
Model		DUAL ROTARY
Brand		GMCC
Capacity	(Btu/h)	25932.27641
Input	(W)	2045
Rated current (RLA)	(A)	-
Refrigerant oil/oil charge	(ml)	-
Throttle		Capillary +EXV
<b>Outdoor fan motor</b>		
Model		ZKFN-80-8-3
Qty		1
Input	(W)	--
RLA	(A)	--
Speed	(r/min)	810/720
<b>Air flow &amp; Noise level</b>		
Outdoor air flow (Max.)	(CFM)	1764.70
Outdoor noise level	[dB(A)]	59
<b>Outdoor unit</b>		
Dimension (WxDxH)	(inch)	35.04x13.46x26.50
	(mm)	890x342x673
Packing (WxDxH)	(inch)	39.17x15.67x29.13
	(mm)	995x398x740
Net/ Gross weight	(lbs.)	100.97/108.03
	(kg)	45.8/49



### Indoor unit dimension



### Outdoor unit dimension

