

SUBMITTAL DATA SHEET



Model number: ECCA-24U/ECUO-18H

Air Handler Heat Pump System

Location:	Approval:
Engineer:	Date:
Submitted to:	Construction:
Submitted by:	Unit #:
Reference:	Drawing #:



INDOOR SPECIFICATION

Dimension (W×D×H)	inch	14-1/2 x 21 x 18
	mm	368 x 533 x 457
Package (W×D×H)	inch	17-1/2 x 25-3/8 x 20-5/8
	mm	445 x 645 x 525
Net/Gross Weight	lbs	42 / 50
	kg	19 / 22.5

OUTDOOR SPECIFICATION

Compressor Type	ROTARY	
Compressor Model	KTM240D46UKT2	
Refrigerant	R454B	
Refrigerant Oil Charge(mL)	620	
Refrigerant Oil	VG74	
Outdoor Air Flow (Max) (CFM)	1,766	
Outdoor Noise Level (dBA)	60	
Dimension (W×D×H)	inch	35 x 13-1/2 x 26-1/2
	mm	890 x 342 x 673
Package (W×D×H)	inch	39-1/8 x 15-5/8 x 29-1/8
	mm	995 x 398 x 740
Net/Gross Weight	lbs	102 / 109
	kg	46.4 / 49.5

EFFICIENCY

Cooling		Heating	
SEER2	16	HSPF2-4	9.5
EER2	10	COP	3.2

PERFORMANCE OF COOLING

Cooling (Btu/hr)	
Rated Capacity	24,000
Min/Max Capacity	7,900~27,600
Moisture Removal(L/h)	2.89
Standard Operating Range(°F/°C)	-22~122(-30~50)
Rated Cooling Conditions:	Indoor: 80°F DB/67°F WB Outdoor: 95°F DB/75°F WB

PERFORMANCE OF HEATING

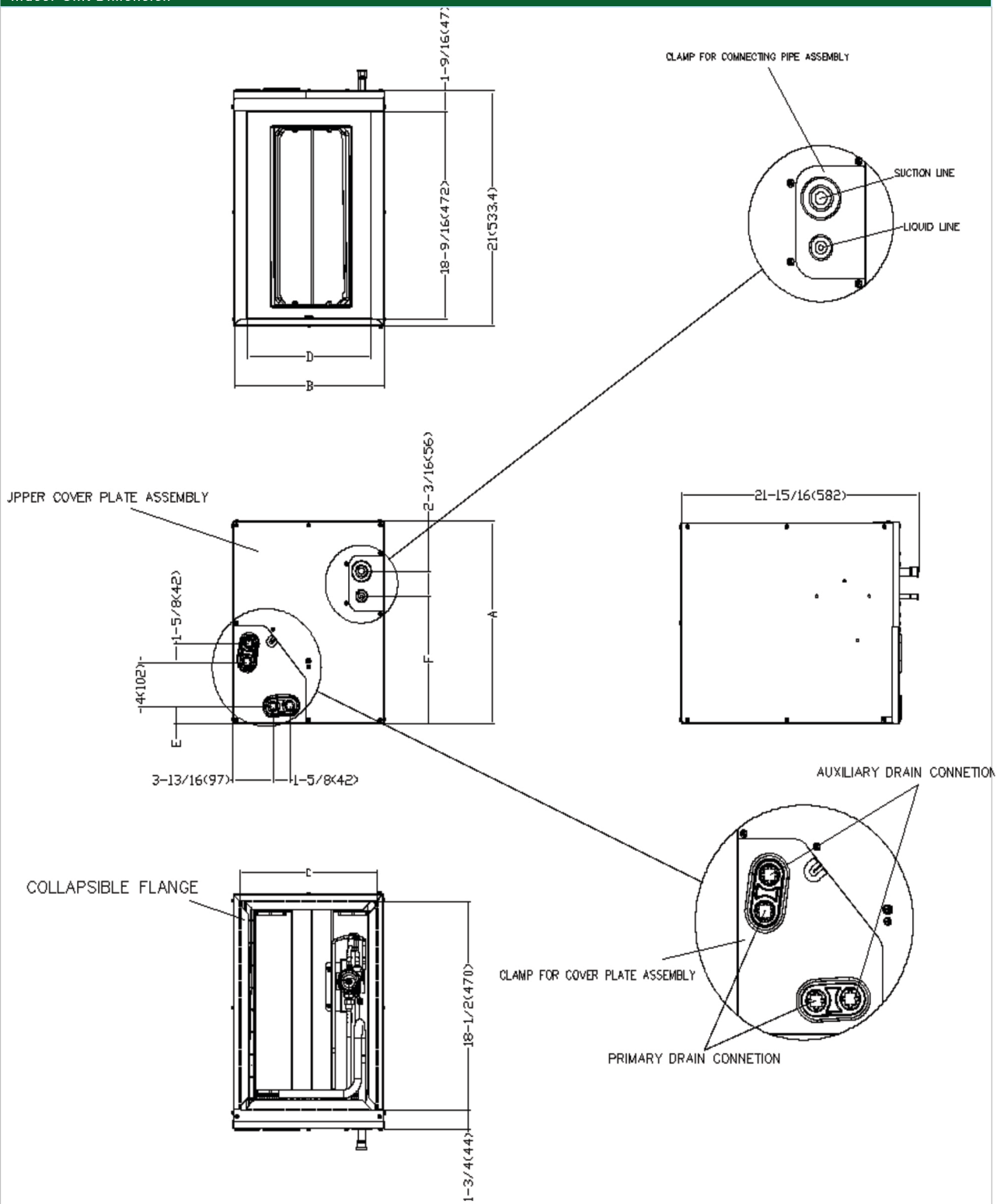
Heating (Btu/hr)	
1. @ 47°F Rated	25,000
2. @ 47°F Min/Max Capacity	6,800~30,000
3. @ 17°F Rated	19,700
4. @ 5°F Rated: Capacity / COP	21,000/1.8
5. @ 5°F Max: Capacity	21,000
Standard Operating Range(°F/°C)	-22~75(-30~24)
1. Rated Heating Conditions:	Indoor: 70°F DB/60°F WB Outdoor: 47°F DB/43°F WB
2. Rated Heating Conditions:	Indoor: 70°F DB/60°F WB Outdoor: 17°F DB/15°F WB
3. Heating Conditions, Compressor Operating at Max. Frequency	Indoor: 70°F DB/60°F WB Outdoor: 5°F DB/5°F WB

ELECTRICAL

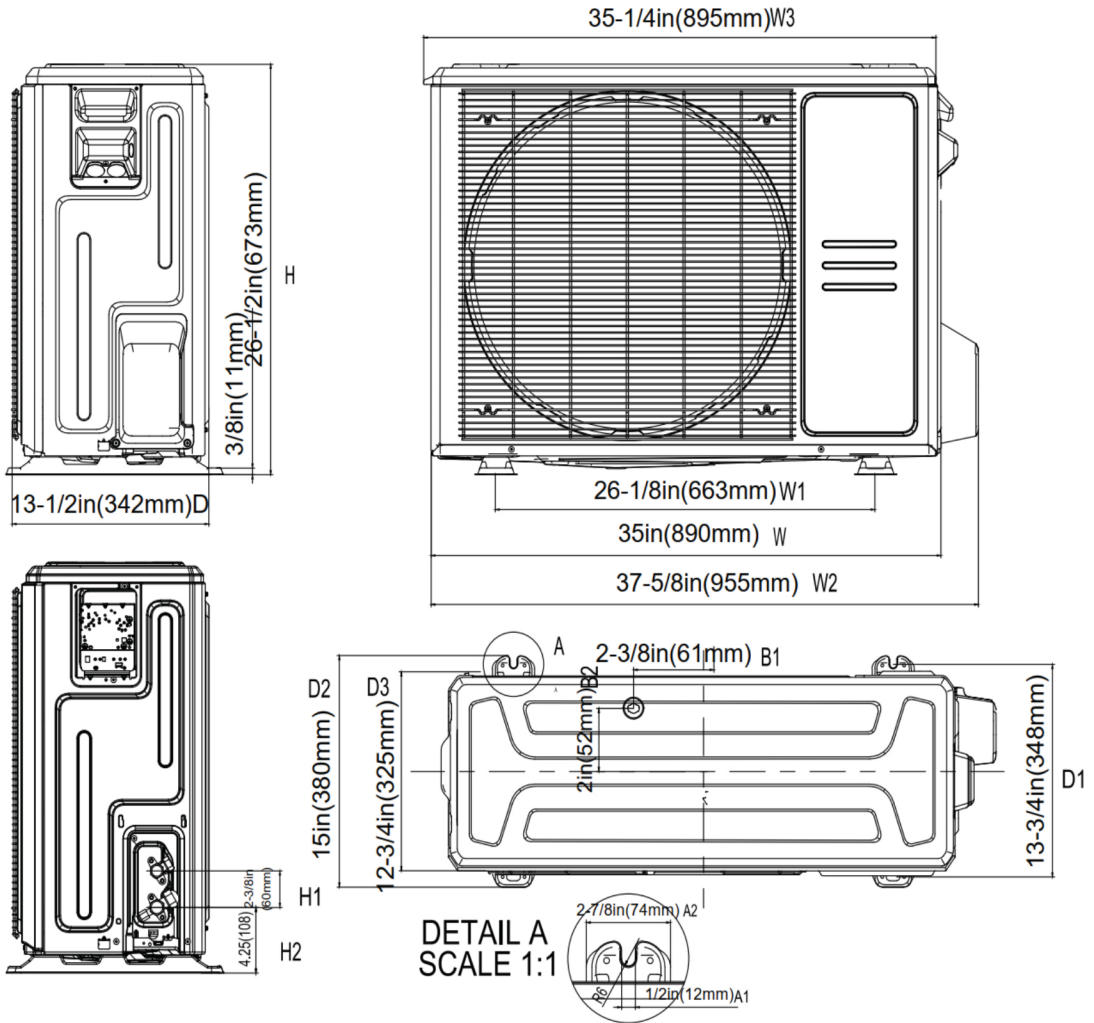
Indoor Power Supply	24V,60Hz,1Ph
Indoor MCA 115V/(208/230V)	/
Indoor MOP	/
Outdoor Power Supply	208/230,60Hz,1Ph
Outdoor MCA	19
Outdoor MOP	20
Communication Wiring	AWG 20-2
Compressor RLA	14
Outdoor Fan Motor RLA	1
Outdoor Fan Motor W	/
Indoor Fan Motor RLA	/
Indoor Fan Motor W	/
System Power Input @ Cooling (W)	2,400(680 ~ 2,890)
System Power Input @ Heating (W)	2,290(330 ~2,900)
MCA: Min. circuit amps (A)	MOCP: Max. over current protection (A)
RLA: Rated load amps (A)	W: Fan motor rated output (W)

PIPING

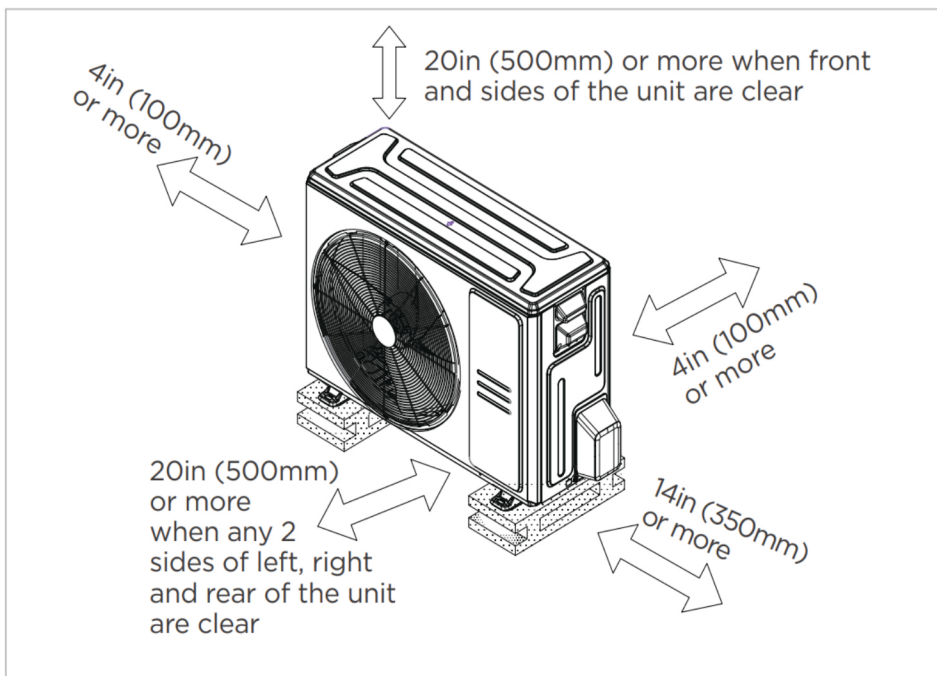
Throttle type(Indoor)	TXV
Throttle type(Outdoor)	EXV
Liquid Size	9.52mm(3/8in)
Gas Size	19mm(3/4in)
Max. Piping Length(ft/m)	164(50)
Max. Height Difference(ft/m)	82(25)
Max. Pre-charged Length(ft/m)	24.6(7.5)
Refrigerant Pre-charged Amount (oz/ft³)	74.08(2.1)
Additional Charge of Refrigerant(oz/ft³)(g/ft³)	0.7(65)
Connection Method	Flared



Model		MVBМ-24В18Т3N10		MVBМ-24A18Т3N10		MVBМ-34A24Т4N10		MVBМ-34В24Т4N10		MVBМ-34С24Т4N10		MVBМ-60D28Т6N10	
		Inch	mm	Inch	mm	Inch	mm	Inch	mm	Inch	mm	Inch	mm
A	Model Height	18	457	18	457	23-5/16	592	23-9/16	599	24	611	28	711
B	Model Width	17-1/2	445	14-1/2	368	14-1/2	368	17-1/2	445	21	534	24-1/2	622
C	Supply Air Opening Width	16-3/16	411	13-1/4	336	13-1/4	336	16-3/16	411	19-3/4	502	23-1/4	591
D	Return Air Opening Width	14-15/16	380	11-15/16	303	11-15/16	303	14-15/16	380	19-1/2	498	23-1/8	587
E	Condensate Drains Height	1-7/16	1-7/16	1-7/16	38	1-7/16	38	1-7/16	38	2-3/16	55	2-3/16	55
F	Liquid Line Height	11-3/8	290	11-3/8	290	17-15/16	455	16-3/8	417	17-1/2	445	21-7/16	545



Installation Instruction for Outdoor Unit



Meets all spatial requirements shown in Installation Clearance Requirements above.

Features

- Multi-position installation: horizontal(left or right), vertical(up or down)
- Aluminum Coil
- R454B refrigerant sensor
- Easy Maintenance
- Multiple control options available:
 - Two way communication wired controller with built-in WiFi:120N(X6W)
 - Third-Party 24V Thermostat